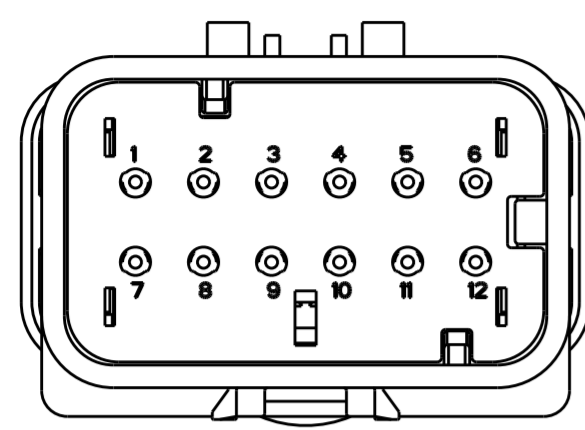
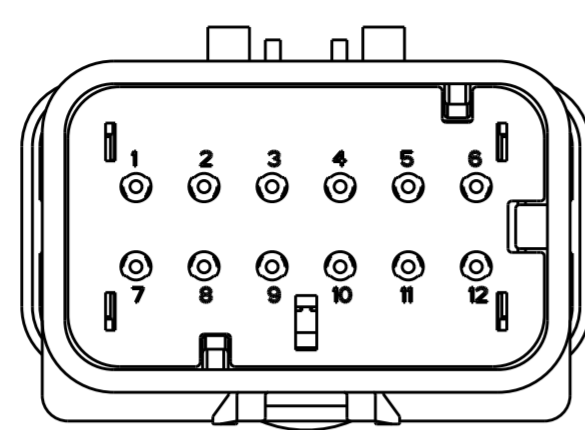


THIS DRAWING IS UNPUBLISHED
 RELEASED FOR PUBLICATION
 COPYRIGHT 20 BY - ALL RIGHTS RESERVED.

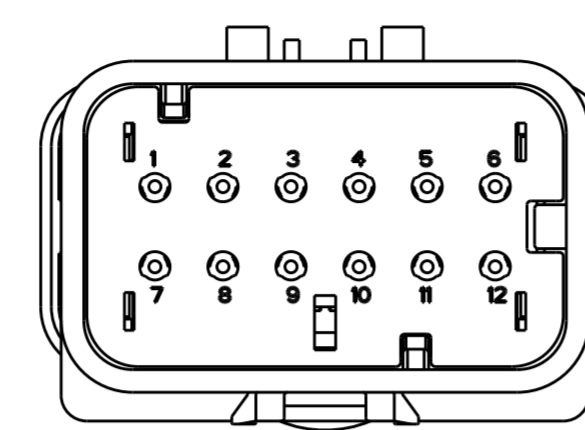
| REVISIONS | | | | | |
|-----------|-----|---------------------------|-----------|-----|------|
| P | LTR | DESCRIPTION | DATE | DWN | APVD |
| B3 | | REVISED PER ECO-11-005030 | 11MAR2011 | RK | HMR |
| C | | REVISED PER ECO-13-019231 | 09DEC2013 | DR | RB |
| | | | | | |
| | | | | | |



776539-2
SCALE 2:1

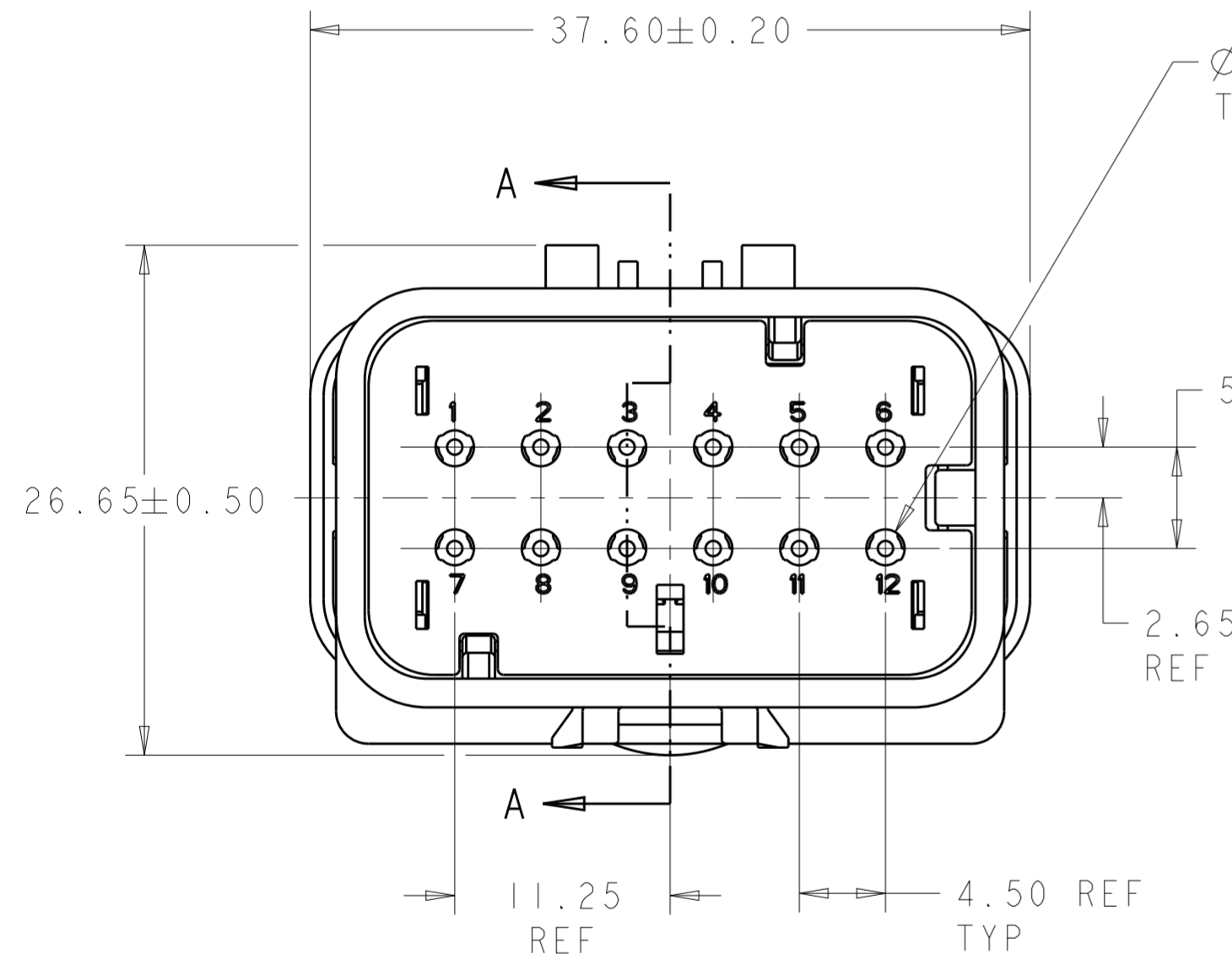


776539-3
SCALE 2:1

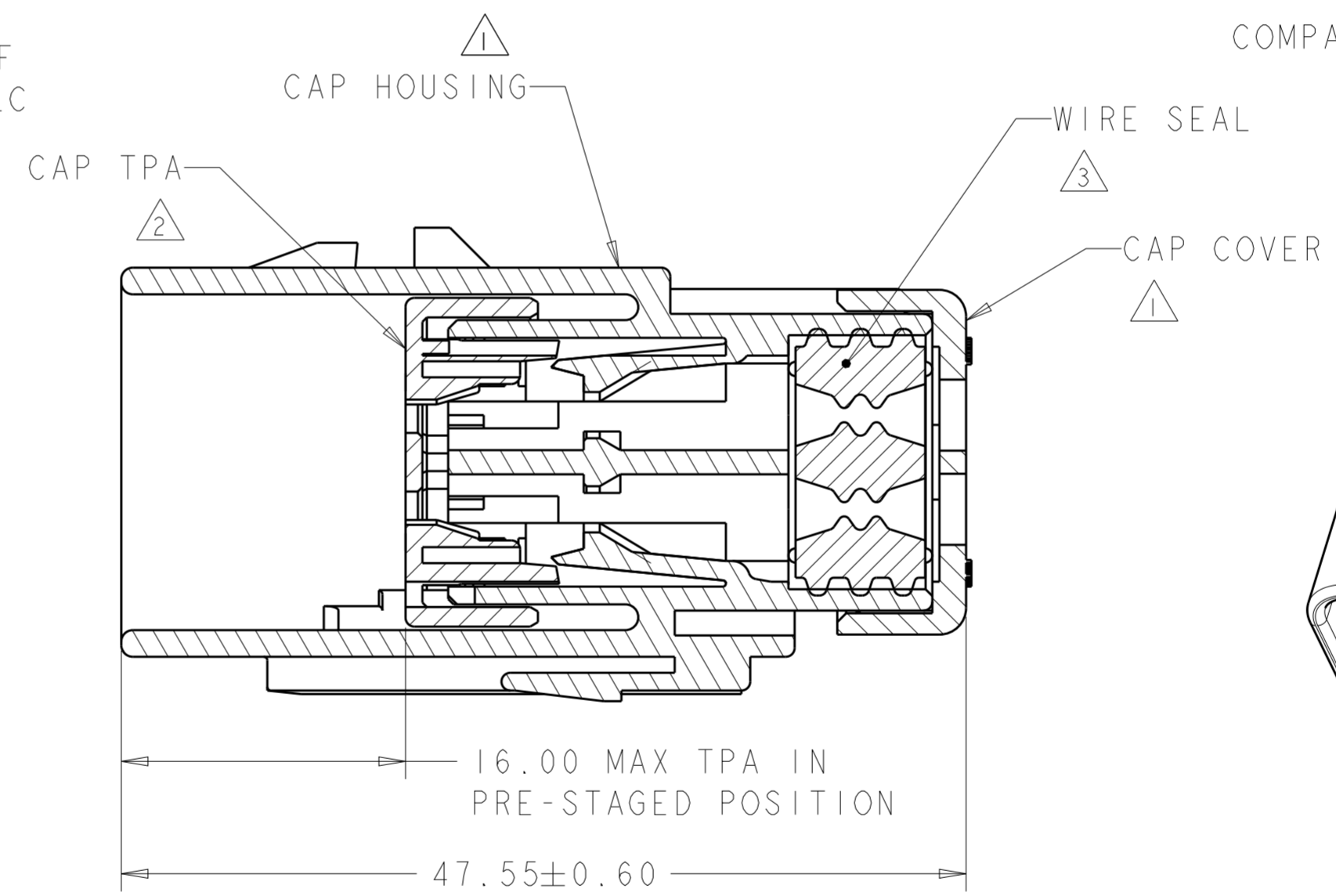


776539-4
SCALE 2:1

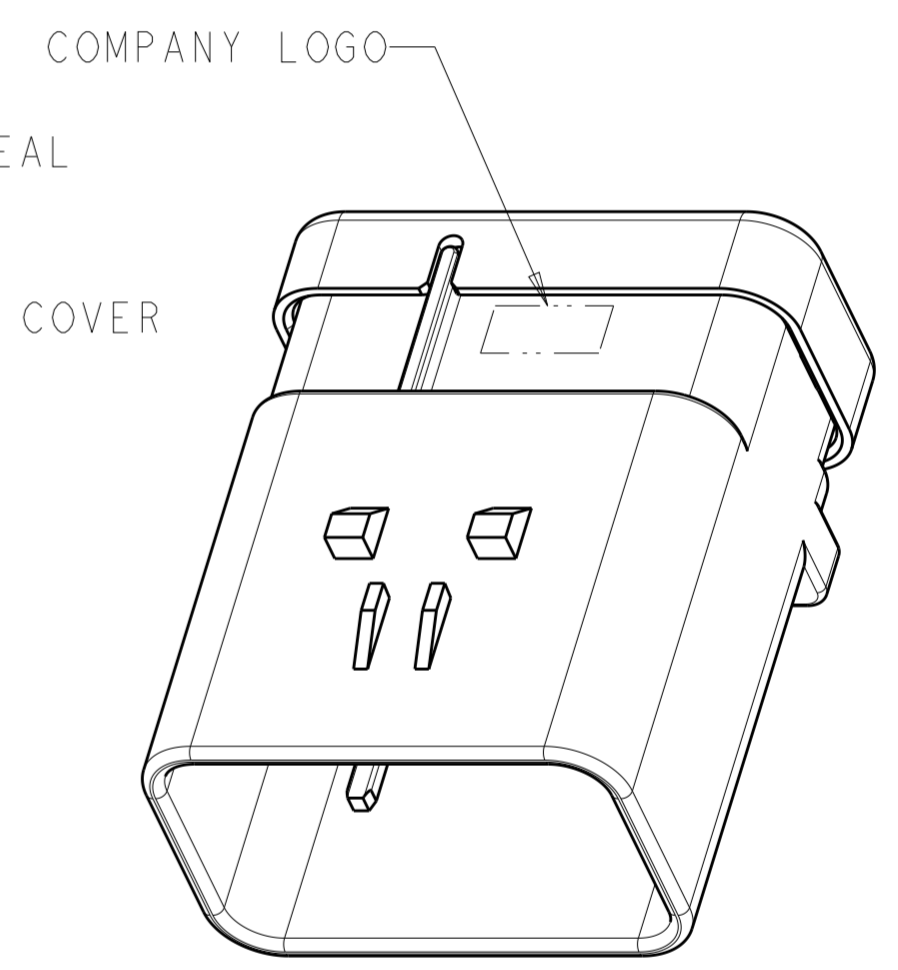
- 1 MATERIAL: 15% GLASS FILLED THERMOPLASTIC
COLOR: BLACK
 - 2 MATERIAL: 15% GLASS FILLED THERMOPLASTIC
COLOR: (SEE TABLE)
 - 3 MATERIAL: SILICONE
COLOR: RUST
4. RECOMMENDED WIRE DIAMETER RANGE IS 1.30 TO 2.54mm



776539-1 SHOWN



SECTION A-A



SCALE 2:1

| | |
|-----------|-------------|
| GREEN | 776539-4 |
| YELLOW | 776539-3 |
| GRAY | 776539-2 |
| RED | 776539-1 |
| TPA COLOR | PART NUMBER |

| | | | | |
|--|---|----------------------------------|--|-----------|
| THIS DRAWING IS A CONTROLLED DOCUMENT. | | DWN W. HOELSCHER 04SEP2003 | TE Connectivity | |
| DIMENSIONS: mm | | CHK J. PATTERSON 04SEP2003 | | |
| TOLERANCES UNLESS OTHERWISE SPECIFIED: | | APVD D. KLEIN 04SEP2003 | NAME CAP ASSEMBLY, 12 POSITION, 2 ROW, AMPSEAL 16 CONNECTOR REDUCED DIA WIRE SEAL | |
| 0 PLC | ± | PRODUCT SPEC | SIZE | CAGE CODE |
| 1 PLC | ± | 108-2184 | A200779 | C-776539 |
| 2 PLC | ± | APPLICATION SPEC | SCALE | SHEET |
| 3 PLC | ± | 114-13065 | 2:1 | OF |
| 4 PLC | ± | WEIGHT | Customer Drawing | REV |
| ANGLES | ± | 22.5 | | C |
| FINISH | - | | | |